

PRODUCT DRAWING

CUSTOMER NO.:

FILENAME:

REVISION:

DRAWING OF TIC3321

ORIGINAL DATE: 11 JAN 2003

TOTAL PAGES: 4

INITIATE

REVISE

EFFECTIVE DATE:

REVISIONS

REV	DESCRIPTION	DATE

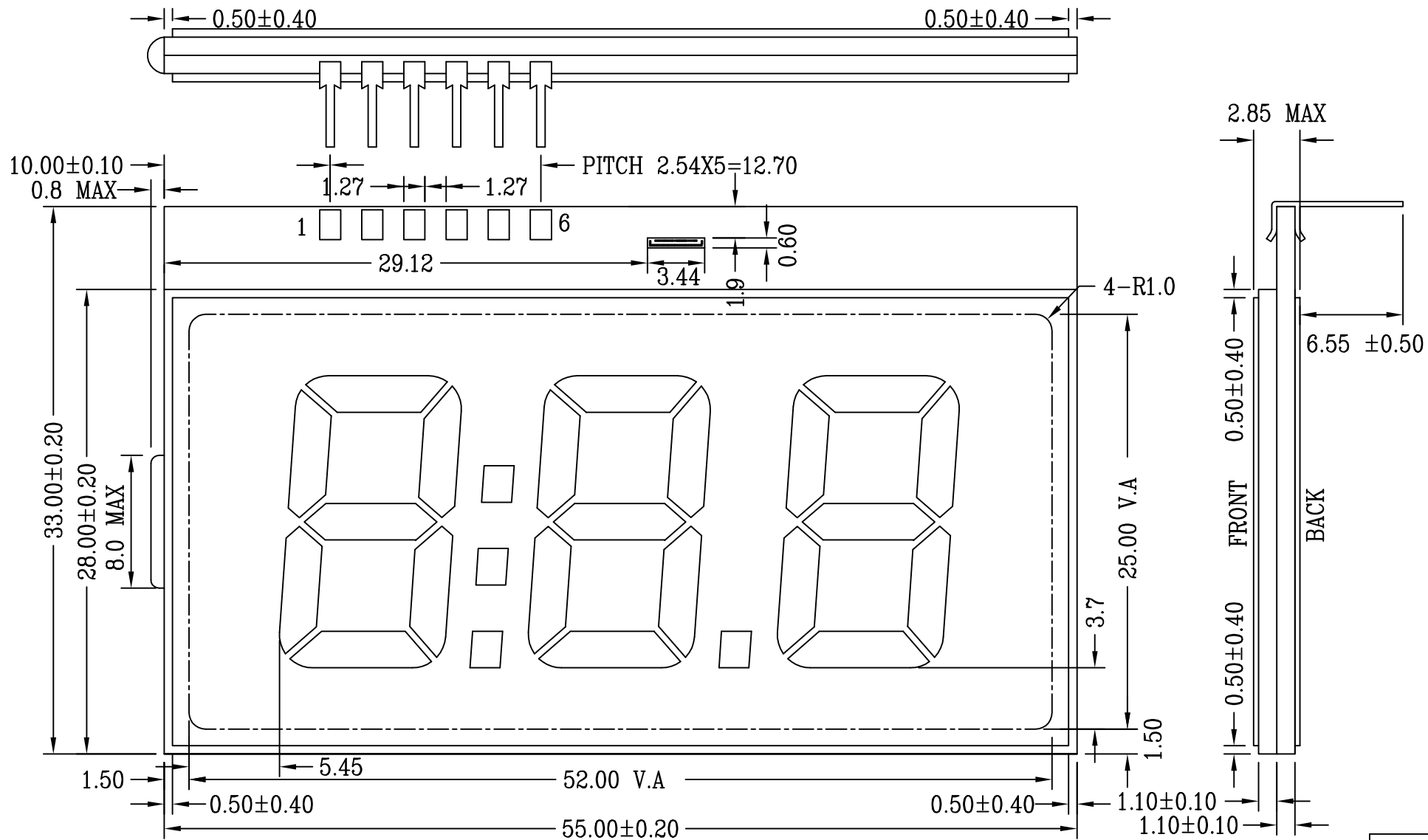
ORIGINATOR

DESIGN MGR.



Please sign and fax back this page to confirm this drawing.
Please indicate if you need samples.

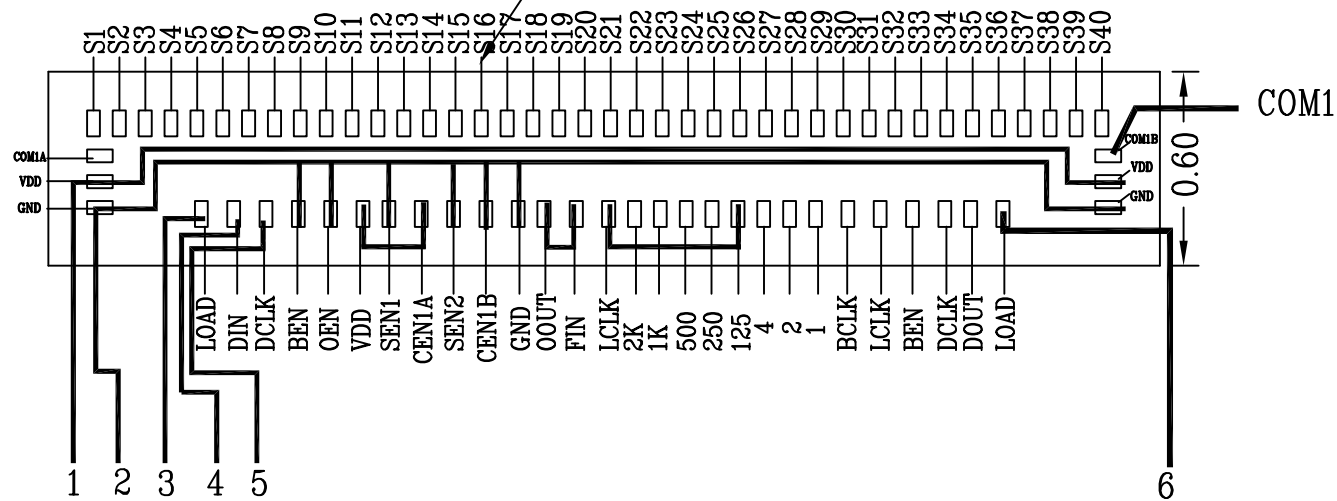
Authorized Signatures



REV

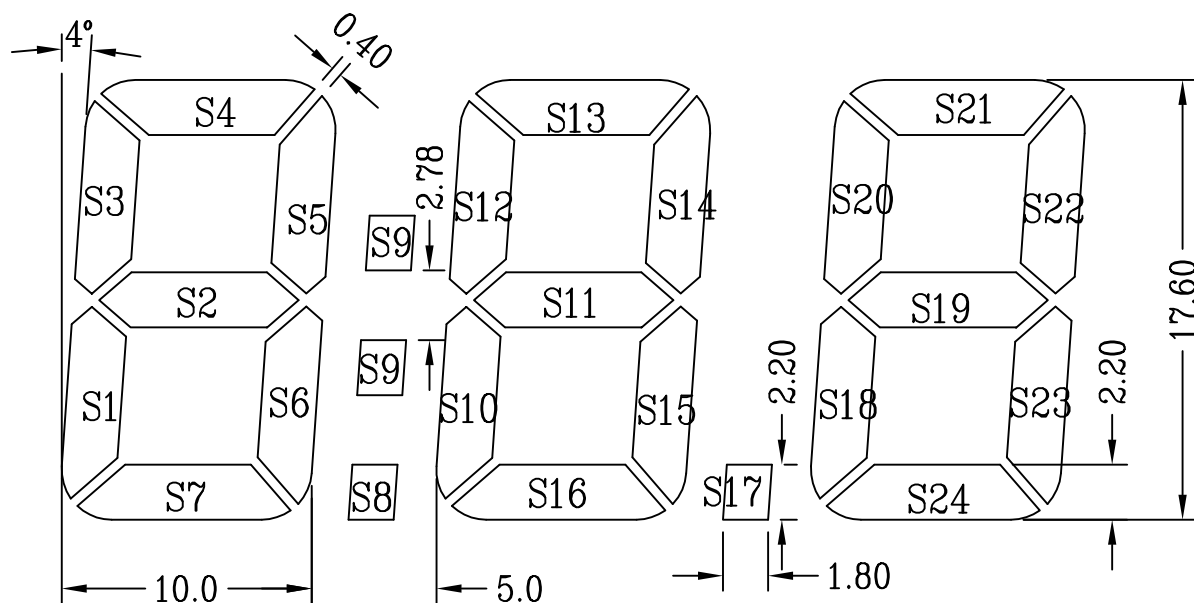
Designed by:		<h1>TIC3321</h1>
Checked by:		
Approved by:		
Filename:		
		Unit: mm
		Sheet: 2 OF 4

LCD DRIVER: ML1001

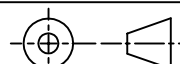


(pads up)

PIN	SYMBOL
1	VDD
2	GND
3	LOAD
4	DIN
5	DCLK
6	LOAD



REV

Designed by:		TIC3321
Checked by:		
Approved by:		
Filename:		Unit: mm Sheet: 3 OF 4

A. Dimensions:

1. Length of top glass:
55.00±0.20 mm

Width of top glass:
28.00±0.20 mm

2. Length of bottom glass:
55.00±0.20 mm

Width of bottom glass:
33.00±0.20 mm

3. Thickness of LCD(max):
2.85 mm

4. Thickness of glass:
Top: 1.10 mm
Bottom: 1.10 mm

5. Length of viewing area:
Horizontal: 52.00 mm
Vertical: 25.00 mm

B. Display specification:

1. Duty: STATIC

2. Bias: _____

3. Operating voltage: 3.0 V

4. Viewing angle: 6:00

5. Temperature:
Operating: -40 TO +80°C

Storage: -45 TO +85°C

6. Polarizer:
Top: TRANSMISSIVE

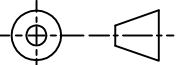
Bottom: REFLECTIVE

7. End seal: LEFT

8. Length of pin: 6.55 mm

Pitch of pin: 2.54 mm

REV

Designed by:	TIC3321	
Checked by:		
Approved by:		Unit: mm
Filename:		Sheet: 4 OF 4