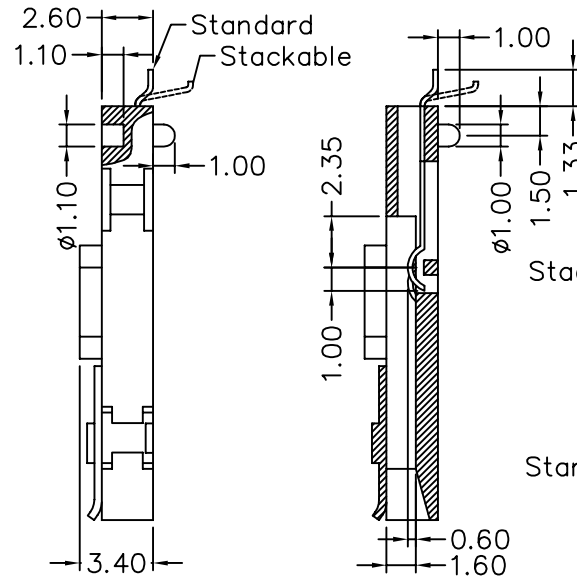
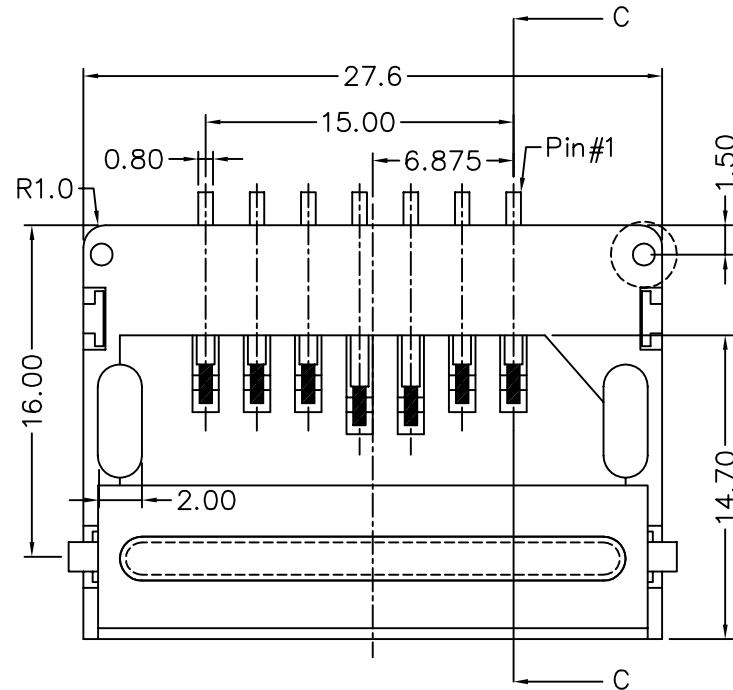
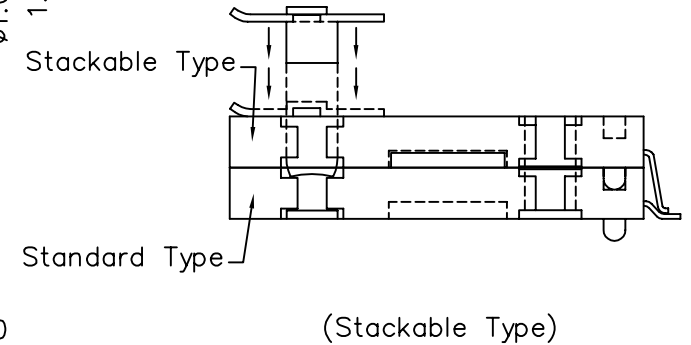


Recommended P.C.B Layout (Top View)  
TOL:  $\pm 0.10$ mm



Section C-C



**SPECIFICATIONS:**

- Current Rating : 1 A Max.
- Contact Resistance : 100 Milliohms Max.
- Insulation Resistance : 1000 Megohms Min.
- Mating Cycle : 5000 Cycles Min.
- Operating Temperature :  $-40^{\circ}\text{C}$  To  $+85^{\circ}\text{C}$
- Insulator : LCP, Rated UL 94V-0
- Contacts : Phosphor Bronze
- Boardlock : Copper Alloy
- Contact Area : Gold Flash Plating Over  
15u", 30u" 40u" Nickel
- Solder Tail Area : 100u" Tin Plating Over  
40u" Nickel

DRAWING No.  
MMC07W

APPROVED BY  
MEI  
CHECKED BY  
RAN  
DRAWING BY  
HZF

UNLESS OTHERWISE SPECIFIED  
TOLERANCES ARE  
.X  $\pm 0.38$   
.XX  $\pm 0.25$   
ANG.

SCALE NONE

REV. A

UNIT mm

AREA REVISIONS CHK DATE