

# Ampire CO., LTD.

<b>PRODUCT DRAWING</b>	CUSTOMER NO.:	
	FILENAME:	REVISION:
<b>DRAWING OF T18077(-40C)</b>	ORIGINAL DATE:	
	TOTAL PAGES:	
<input type="checkbox"/> INITIATE <input checked="" type="checkbox"/> REVISE		EFFECTIVE DATE:

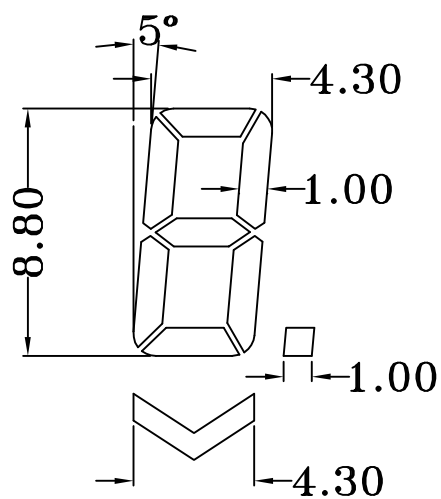
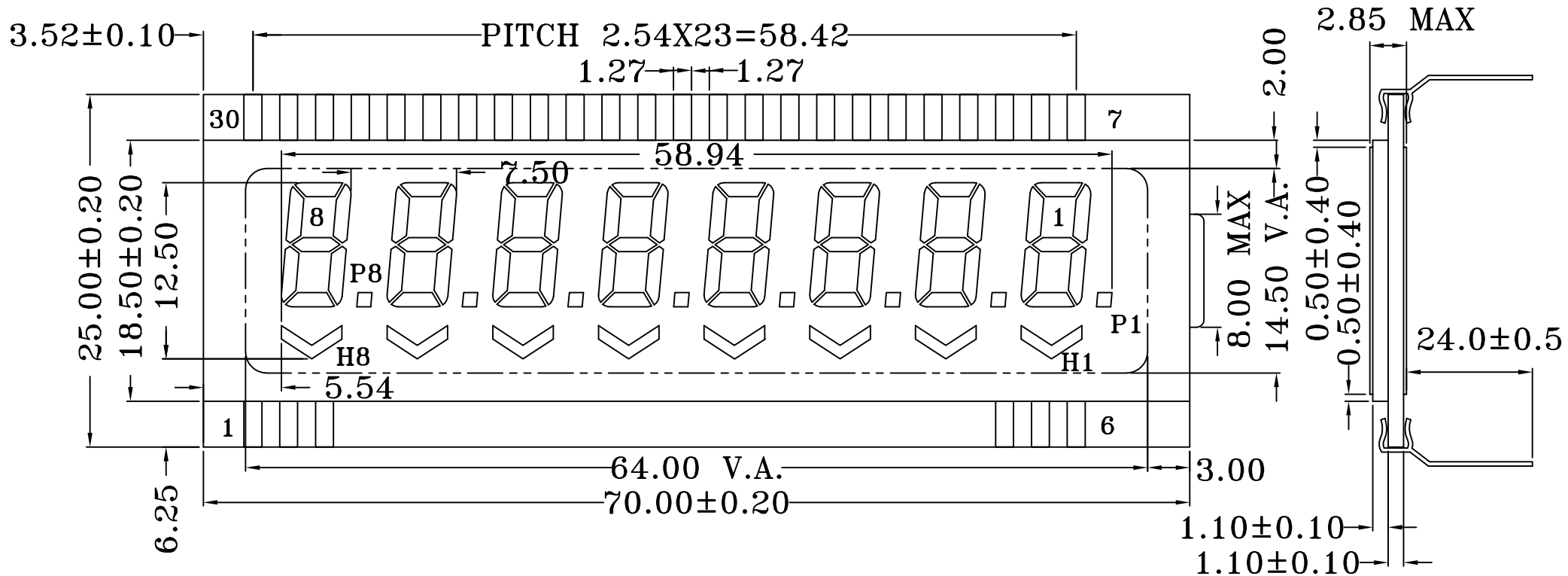
REVISIONS		
REV	DESCRIPTION	DATE

ORIGINATOR	DESIGN MGR.
------------	-------------



Please sign and fax back this page to confirm this drawing.  
Please indicate if you need samples.

\_\_\_\_\_  
Authorized Signatures

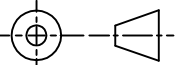


REV	A
-----	---

Ampire CO.,LTD.	
Designed by:	TI8077(-40C)
Checked by:	
Approved by:	
Filename:	
	Unit: mm
	Sheet: 2 OF 4

PIN	1	2	3	4	5	6	7	8	9	10	11	12	13	14	15
COM1	COM1					COM1	B1	A1	F1	B2	A2	F2	B3	A3	F3
COM2		COM2			COM2		C1	G1	E1	C2	G2	E2	C3	G3	E3
COM3			COM3	COM3			P1	D1	H1	P2	D2	H2	P3	D3	H3
PIN	16	17	18	19	20	21	22	23	24	25	26	27	28	29	30
COM1	B4	A4	F4	B5	A5	F5	B6	A6	F6	B7	A7	F7	B8	A8	F8
COM2	C4	G4	E4	C5	G5	E5	C6	G6	E6	C7	G7	E7	C8	G8	E8
COM3	P4	D4	H4	P5	D5	H5	P6	D6	H6	P7	D7	H7	P8	D8	H8

REV	A
-----	---

<h1>Ampire CO.,LTD.</h1>	
Designed by:	TI8077(-40C)
Checked by:	
Approved by:	
Filename:	
	Unit: mm
	Sheet: 3 OF 4

A. Dimensions:

1. Length of top glass:  
70.00±0.20 mm

Width of top glass:  
18.50±0.20 mm

2. Length of bottom glass:  
70.00±0.20 mm

Width of bottom glass:  
25.00±0.20 mm

3. Thickness of LCD(max):  
2.85 mm

4. Thickness of glass:  
Top: 1.10 mm  
Bottom: 1.10 mm

5. Length of viewing area:  
Horizontal: 64.00 mm  
Vertical: 14.50 mm

B. Display specification:

1. Duty: 1/3

2. Bias: 1/3

3. Operating voltage: 3.0-5.0 V

4. Viewing angle: 6:00

5. Temperature:  
Operating: -40 TO +70°C

Storage: -40 TO +80°C

6. Polarizer:  
Top: TRANSMISSIVE

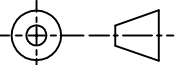
Bottom: REFLECTIVE

7. End seal: RIGHT

8. Length of pin: 24.0 mm

Pitch of pin: 2.54 mm

REV	A
-----	---

Ampire CO.,LTD.	
Designed by:	TI8077(-40C)
Checked by:	
Approved by:	
Filename:	
Unit: mm	
Sheet: 4 OF 4	