

SEARCH:

Magnetic transducer Buzzer

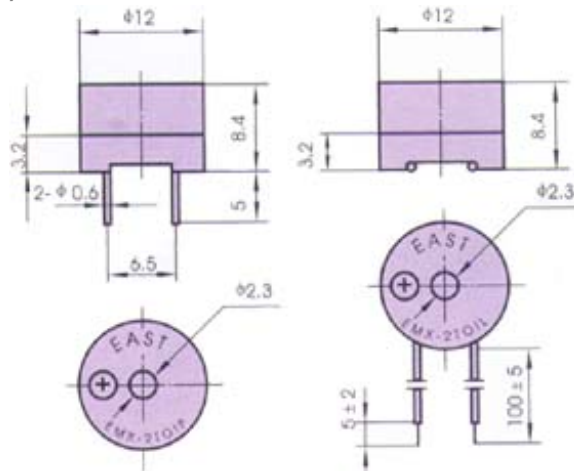
• EMX-2T01 Series



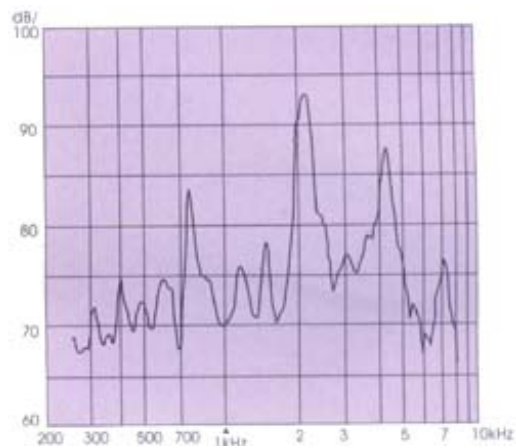
FEATURES:

- Low frequency
- Low voltage
- Small and slim size

DIMENSIONS: (Unit: mm)



CHARACTERISTICS:



ELECTRICAL SPECIFICATIONS:				
Model No.	EMX-2T01P50 EMX-2T01L50	EMX-2T01P42 EMX-2T01L42	EMX-2T01P16 EMX-2T01L16	EMX-2T01P8 EMX-2T01L8
Min. Sound Pressure Level	80 dB /1.5V _{DC} /10cm			
Rated voltage (V _{DC})	1.5			
Operating Voltage (V _{DC})	1 ~ 2			
Rated current (mA)	10	12	30	60
Coil Resistance (Ω)	50 ± 7.5	42 ± 5	16 ± 4	8 ± 2
Coil Impedance (Ω)	140	110	40	20
Resonant Frequency (Hz)	2048			
Operating Temperature	-20 ~ +70°C			
Weight (g)	2			
PACKING INFORMATION :				
Packing :	5000pcs per export carton			
Carton Size :	47 x 30.5 x 25 cm			
G. Weight (kgs):	6.3			
N. Weight (kgs):	5			



SEARCH:

Magnetic transducer Buzzer

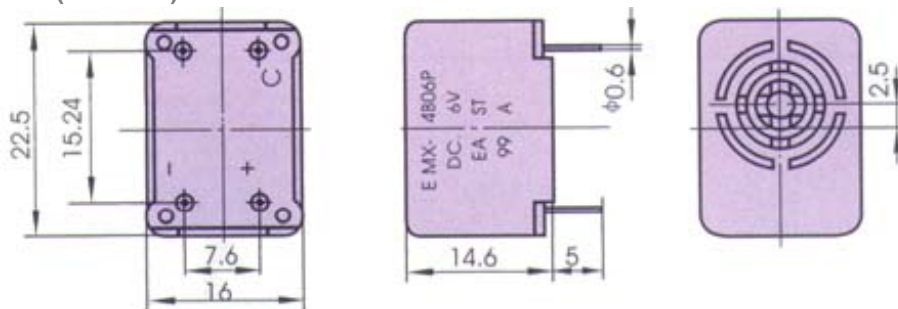
• EMX-4B00P Series



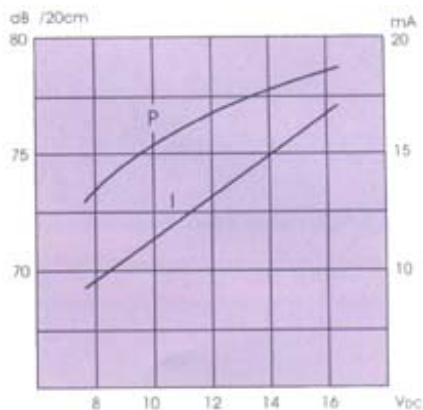
FEATURES:

- Low current consumption
- Trigger control terminal
- Pin terminals for direct mounting on P.C Board

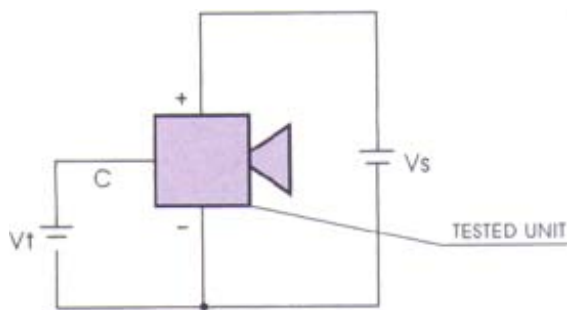
DIMENSIONS: (Unit: mm)



CHARACTERISTICS:



TEST CIRCUIT:



ELECTRICAL SPECIFICATIONS :

Model No.	EMX-4B06P	EMX-4B12P	EMX-4B24P
Min. Sound Pressure Level (dB)	70/6V _{DC} / 20cm	70/12V _{DC} / 20cm	70/24V _{DC} / 20cm
Rated voltage	6 V _{DC}	12 V _{DC}	24 V _{DC}
Operating Voltage	3 ~ 8 V _{DC}	8 ~ 16 V _{DC}	18 ~ 30 V _{DC}
Trigger Voltage	iÝ 3	iÝ 5	iÝ 18
Max. Consumption (mA)	23/6V _{DC}	15 /12V _{DC}	14/24V _{DC}
Resonant Frequency	400 jÀ 100 Hz		
Operating Temperature	-40 ~ +85jãC		
Weight	10 g		

PACKING INFORMATION :	
Packing :	1400 pcs per export carton
Carton Size :	47 x 30.5 x 35 cm
G. Weight :	14.5 kgs
N. Weight :	13 kgs



SEARCH:

Magnetic transducer Buzzer

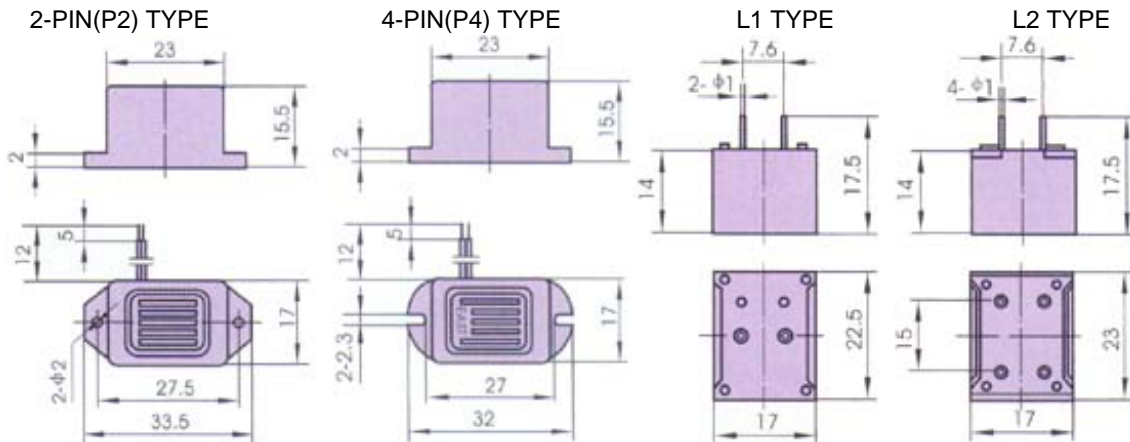
• EMX-300 Series



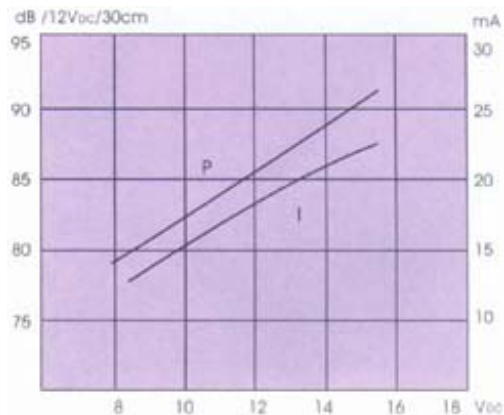
FEATURES:

- Low current consumption
- Compact
- Rich sound

DIMENSIONS: (Unit: mm)



CHARACTERISTICS:



ELECTRICAL SPECIFICATIONS:

Model No.	EMX-301L1 /L2/P2/P4	EMX-303L1 /L2/P2/P4	EMX-306L1 /L2/P2/P4	EMX-309L1 /L2/P2/P4	EMX-312L1 /L2/P2/P4	EMX-324L1 /L2/P2/P4
Min. Sound Pressure Level (dB)	70 at Rated Voltage /30cm			75 at Rated Voltage /30cm		
Rated voltage (V_{DC})	1.5	3	6	9	12	24
Operating Voltage (V_{DC})	1 ~ 3	2 ~ 4	4 ~ 8	9 ~ 12	9 ~ 15	15 ~ 27
Rated current (mA)	20	25				30
Resonant Frequency (Hz)	400 ± 50					
Operating Temperature	-20 ~ +70°C					
Weight (g)	8 g					

PACKING INFORMATION :

Packing :	1000pcs per export carton
Carton Size :	47 x 30.5 x 35 cm
G. Weight (kgs):	9
N. Weight (kgs):	7



SEARCH:

Magnetic transducer Buzzer

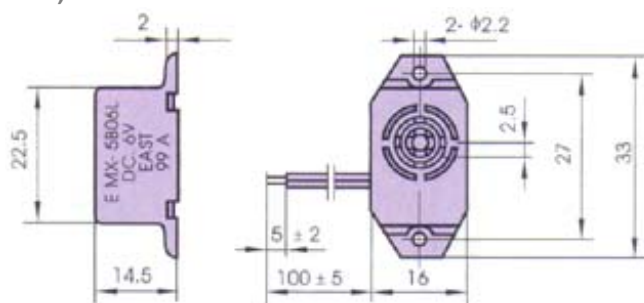
• EMX-5B00L Series



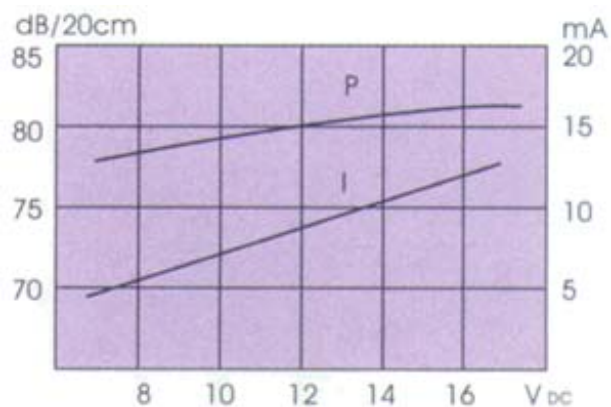
FEATURES:

- Low current consumption
- Compact
- Rich sound

DIMENSIONS: (Unit: mm)



CHARACTERISTICS:



ELECTRICAL SPECIFICATIONS :

Model No.	EMX-5B01L	EMX-5B06L	EMX-5B12L	EMX-5B24L
Min. Sound Pressure Level (dB)	70/1.5V _{DC} / 20cm			
Rated voltage	1.5 V _{DC}	6 V _{DC}	12 V _{DC}	24 V _{DC}
Operating Voltage	1.1 ~ 2 V _{DC}	3 ~ 7 V _{DC}	7 ~ 17 V _{DC}	16 ~ 30 V _{DC}
Max. Consumption (mA)	15/1.5V _{DC}	20 /6V _{DC}	12 /12V _{DC}	14/24V _{DC}
Resonant Frequency	400 ± 100 Hz			
Operating Temperature	-30 ~ +70°C		-40 ~ +80°C	
Weight	10 g			
Wire Connection	red (+)	orange (+)	red (+)	orange (+)
	black (-)	white (-)	white (-)	black (-)

PACKING INFORMATION :	
Packing :	2000 pcs per export carton
Carton Size :	47 x 30.5 x 21 cm
G. Weight :	19.5 kgs
N. Weight :	18 kgs



Copyright 2001 Ningbo East Electronics Limited. All rights reserved.

CLOSE

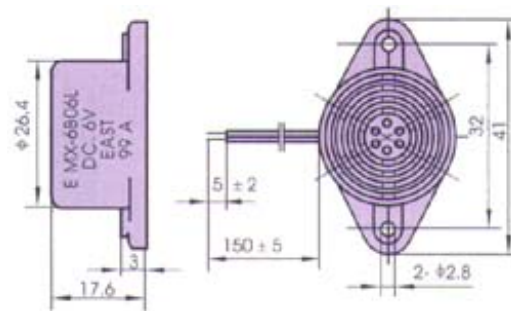
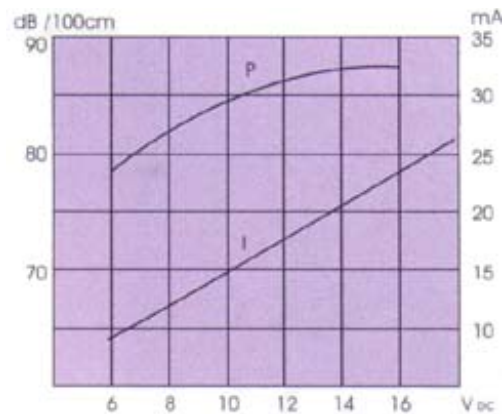
SEARCH:

Magnetic transducer Buzzer

• **EMX-6B00L Series****FEATURES:**

- Low current consumption
- Compact
- Rich sound

DIMENSIONS: (Unit: mm)

**CHARACTERISTICS:****ELECTRICAL SPECIFICATIONS :**

Model No.	EMX - 6B06L	EMX - 6B12L	EMX - 6B24L
Min. Sound Pressure Level (dB)	70/6V _{DC} /100cm	70/12V _{DC} /100cm	70/24V _{DC} /100cm
Rated voltage	6 V _{DC}	12 V _{DC}	24 V _{DC}
Operating Voltage	4 ~ 8 V _{DC}	7 ~ 16 V _{DC}	20 ~ 28 V _{DC}
Max. Consumption (mA)	33/6V _{DC}	23/12V _{DC}	21/24V _{DC}
Resonant Frequency	400 ± 100 Hz		
Operating Temperature	-20 ~ +70 °C		
Weight	17 g		
Wire Connection	red (+)		

	black (-)
PACKING INFORMATION :	
Packing :	500 pcs per export carton
Carton Size :	39.5 x 20 x 21.5 cm
G. Weight :	10.2 kgs
N. Weight :	9.2 kgs



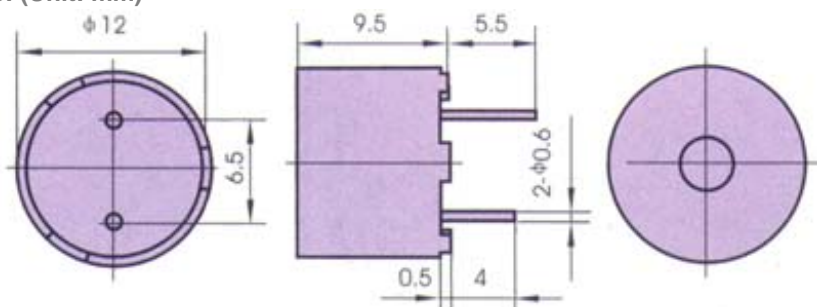
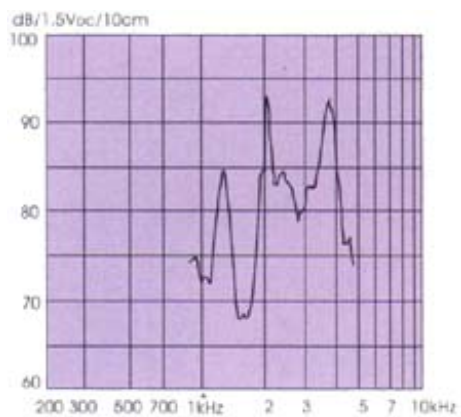
SEARCH:

Magnetic transducer Buzzer

• **EMX-7T06P****FEATURES:**

- Low frequency
- Low voltage
- Small and slim size

DIMENSIONS: (Unit: mm)

**CHARACTERISTICS:****ELECTRICAL SPECIFICATIONS :**

Min. sound pressure level (dB)	86 /6V _{DC} /10cm
Rated Voltage	6 V _{DC}
Operating voltage	4-8 V _{DC}
Max. Consumption (mA)	40/1.5 V _{DC}
Coil Resistance	45 Ω ± 5 %
Coil Impedance	80 Ω
Resonant Frequency	2400KHz
Operating temperature	-25 ~ +70jãC
Weight	1.5 g

PACKING INFORMATION :	
Packing: (pcs per export carton)	3000
Carton Size :	47 x 30.5 x 29 cm
G. Weight:	7.5 kgs
N. Weight:	6 kgs



Copyright 2001 Ningbo East Electronics Limited. All rights reserved.

CLOSE

SEARCH:

Magnetic transducer Buzzer

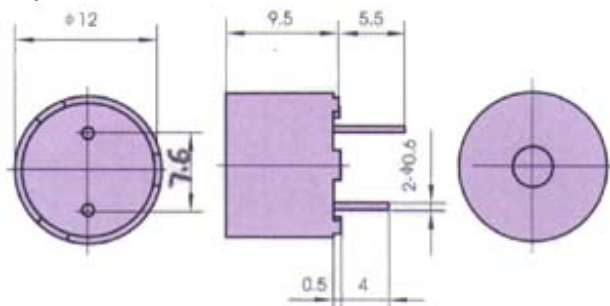
• EMX-7T06 (12) SP



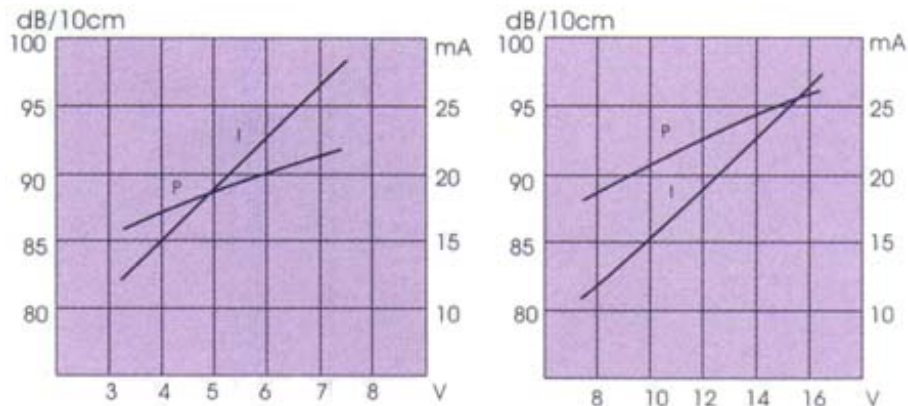
FEATURES:

- Low frequency
- Low voltage
- Small and slim size

DIMENSIONS: (Unit: mm)



CHARACTERISTICS:



ELECTRICAL SPECIFICATIONS :

Model No.	EMX-7T06SP	EMX-7T12SP
Min . Sound Pressure Level (dB)	85/ 6V _{DC} / 10cm	85/ 12V _{DC} / 10cm
Rated voltage	6 V _{DC}	12 V _{DC}
Operating Voltage	4 ~ 7 V _{DC}	9 ~ 15 V _{DC}
Rated current	30 mA	
Resonant Frequency	2.3 ± 0.3 Hz	
Operating Temperature	-20 ~ +85°C	
Weight	2 g	

PACKING INFORMATION :

Packing :	3000 pcs per export carton
Carton Size :	47 x 30.5 x 29 cm
G. Weight :	7.5 kgs
N. Weight :	6 kgs



Copyright 2001 Ningbo East Electronics Limited. All rights reserved.

CLOSE

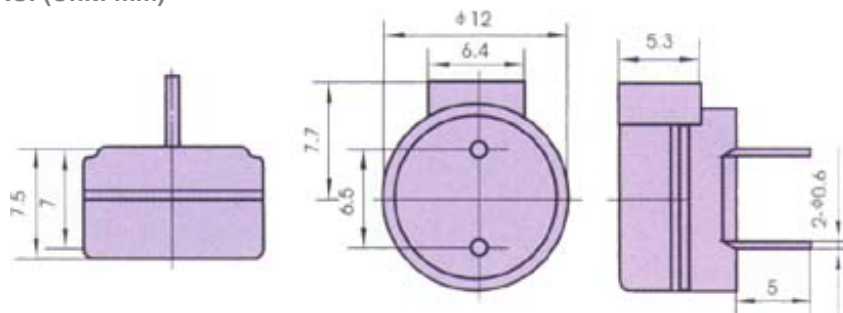
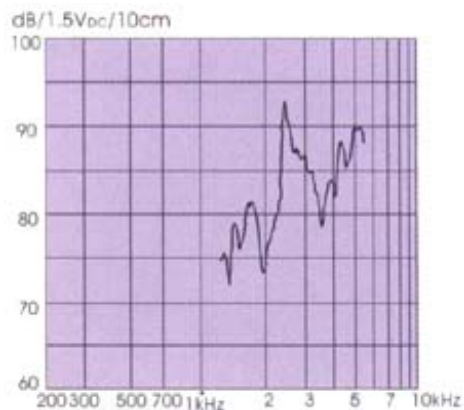
SEARCH:

Magnetic transducer Buzzer

• **EMX-7TG01P****FEATURES:**

- Low frequency
- Low voltage
- Small and slim size

DIMENSIONS: (Unit: mm)

**CHARACTERISTICS:****ELECTRICAL SPECIFICATIONS :**

Min. sound pressure level (dB)	85/1.5V _{DC} /10cm
Rated Voltage	1.5 V _{DC}
Operating Voltage	1-2 V _{DC}
Max. Consumption	70mA/1.5 V _{DC}
Coil Resistance	6.5 Ω @ 1 °C
Coil Impedance	22 Ω
Resonant Frequency	2731Hz
Operating temperature	-20 ~ +60°C
Weight	1.5 g



Copyright 2001 Ningbo East Electronics Limited. All rights reserved.

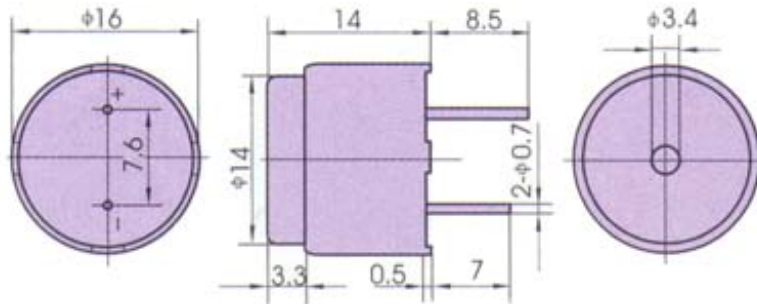
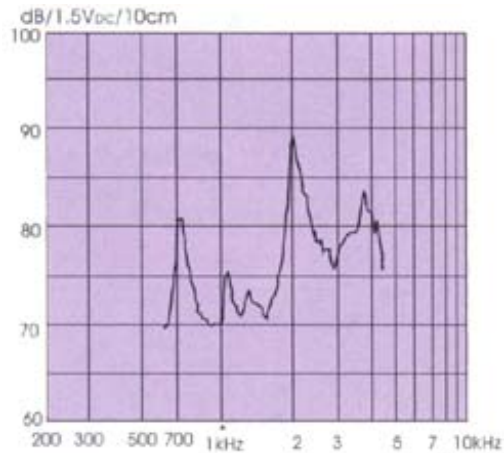
CLOSE

SEARCH:

Magnetic transducer Buzzer

• **EMX-8T01 (06,12) P****FEATURES:**

- Low frequency
- Low voltage
- Small and slim size

DIMENSIONS: (Unit: mm)**CHARACTERISTICS:****ELECTRICAL SPECIFICATIONS:**

Model No.	EMX-8T01P	EMX-8T06P	EMX-8T12P
Min. Sound Pressure level (dB)	80/1.5V _{DC} /10cm	85/6V _{DC} /10cm	85/12V _{DC} /10cm
Rated voltage (V _{DC})	1.5	6	12
Operating Voltage (V _{DC})	1 ~ 3	4 ~ 8	9 ~ 15
Rated current (mA)	12	40	
Coil Resistance (Ω)	27 ± 3	50 ± 5	115 ± 5
Coil Impedance (Ω)	80	110	220
Resonant Frequency (Hz)	2048		

Operating Temperature (jãC)	-25 ~ +70
Weight (g)	5
PACKING INFORMATION :	
Packing :	900 pcs per export carton
Carton Size :	47 x 25 x 23 cm
G. Weight :	6 kgs
N. Weight :	4.5 kgs

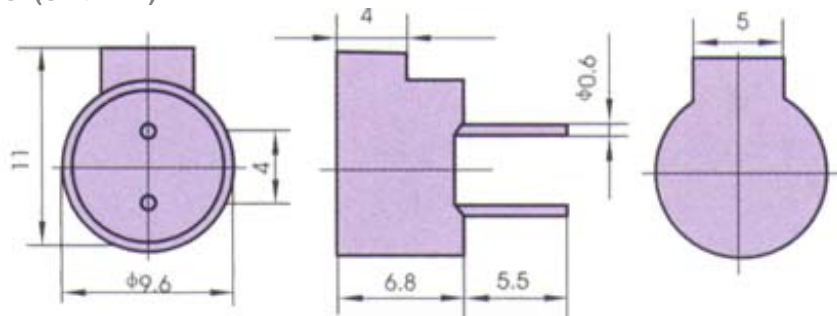
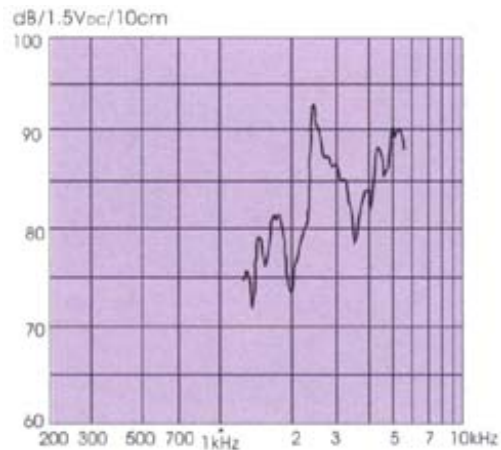


SEARCH:

Magnetic transducer Buzzer

• **EMX-9TG01PA****FEATURES:**

- Low frequency
- Low voltage
- Small and slim size

DIMENSIONS: (Unit: mm)**CHARACTERISTICS:****ELECTRICAL SPECIFICATIONS :**

Min. sound pressure level (dB)	85/1.5 V _{DC} /10cm
Rated Voltage	1.5 V _{DC}
Operating voltage	1 ~ 2V _{DC}
Max. Consumption	80 mA/1.5V _{DC}
Coil Resistance	5.5 Ω @ 20°C
Resonant Frequency	2731Hz
Operating temperature	-20 ~ +80°C
Weight	0.8 g

PACKING INFORMATION :	
Packing: (pcs per export carton)	3000
Carton Size :	47 x 30.5 x 29 cm
G. Weight:	5 kgs
N. Weight:	3 kgs



SEARCH:

EAST
SFM
-1640

Magnetic transducer Buzzer

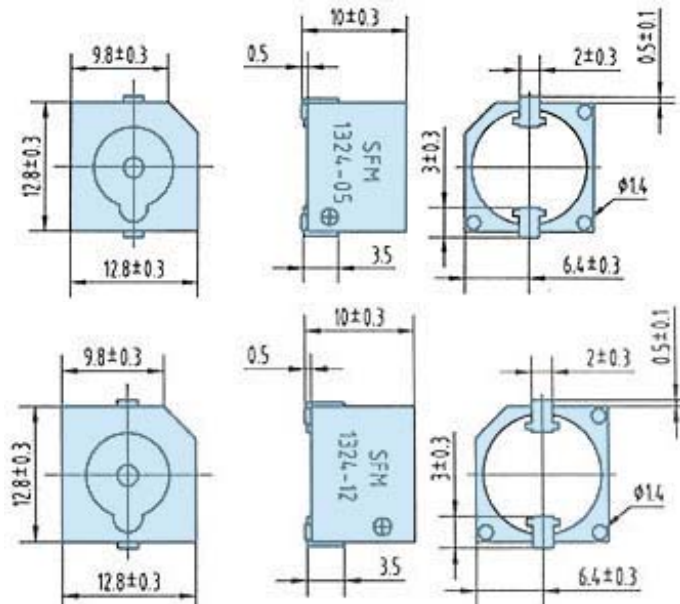
- SFM-1324-05(12)



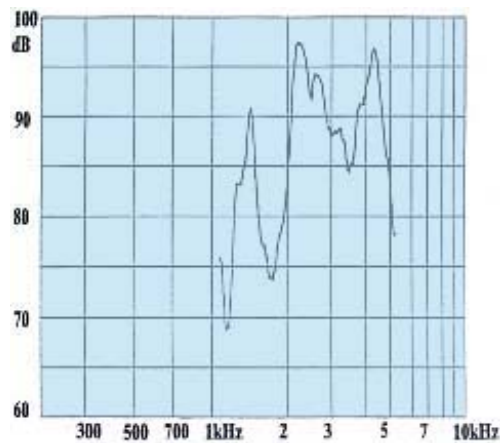
FEATURES:

- SMD Type
- Can Endure Re-flow Solder Process

DIMENSIONS: (Unit: mm)



CHARACTERISTICS:



ELECTRICAL SPECIFICATIONS :		
Model No.	SFM-1324-05	SFM-1324-12
Min . Sound Pressure Level (dB)	85/5 V _{DC} /10cm	90/12 V _{DC} /10cm
Rated Voltage (V _{DC})	5	12
Operating Voltage (V _{dc})	4 ~ 7	8 ~ 16
Resonant Frequency (Hz)	2400	2400
Rated Current (mA)	ïÜ40	ïÜ20
DC Resistance (©)	45ïÀ5	140ïÀ14
Operating Temperature (ïãC)	-30 ~ +85	-30 ~ +85
Storage Temperature (ïãC)	-40 ~ +85	-40 ~ +85
Weight (g)	2.5	2



SEARCH:

Magnetic transducer Buzzer

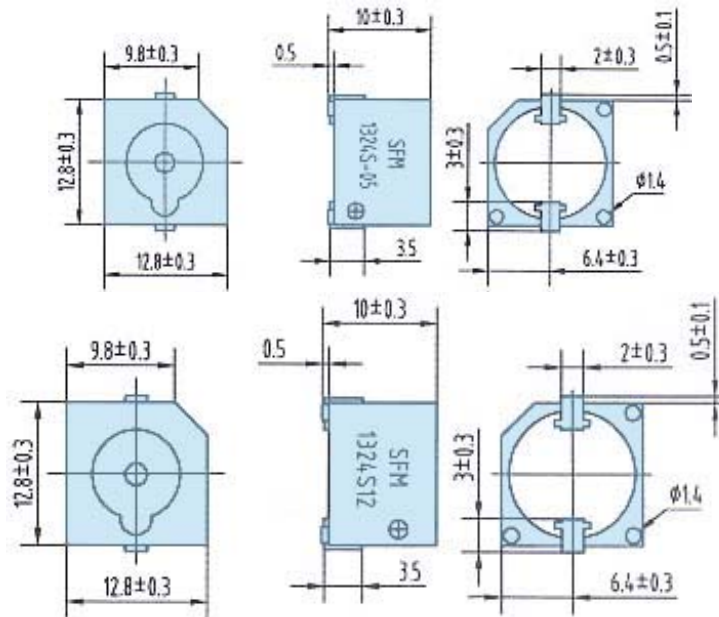
- SFM-1324S-05(12)



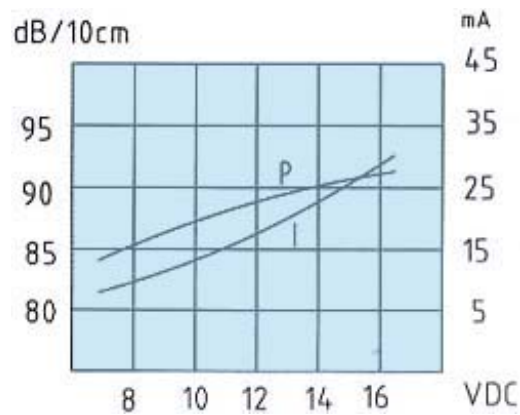
FEATURES:

- SMD Type
- Can Endure Re-flow Solder Process
- With Circuit inside

DIMENSIONS: (Unit: mm)



CHARACTERISTICS:



ELECTRICAL SPECIFICATIONS :		
Model No.	SFM-1324S-05	SFM-1324S12
Min . Sound Pressure Level (dB)	90/5 V _{DC} /10cm	90/12 V _{DC} /10cm
Rated Voltage (V _{DC})	5	12
Operating Voltage (V _{dc})	4 ~ 7	8 ~ 16
Resonant Frequency (Hz)	2400±300	2400±300
Rated Current (mA)	20	20
Response Time (Max) (msec)	50	50
Operating Temperature (°C)	-30 ~ +85	-30 ~ +85
Storage Temperature (°C)	-40 ~ +85	-40 ~ +85
Weight (g)	2.0	2.0



SEARCH:

EAST
SFM
-1640

Magnetic transducer Buzzer

- SFM-1224B(03/12)

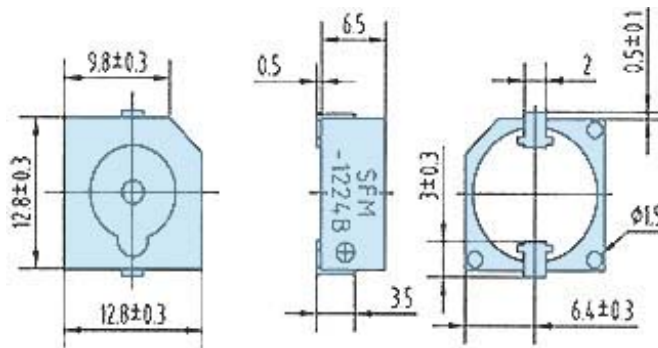


FEATURES:

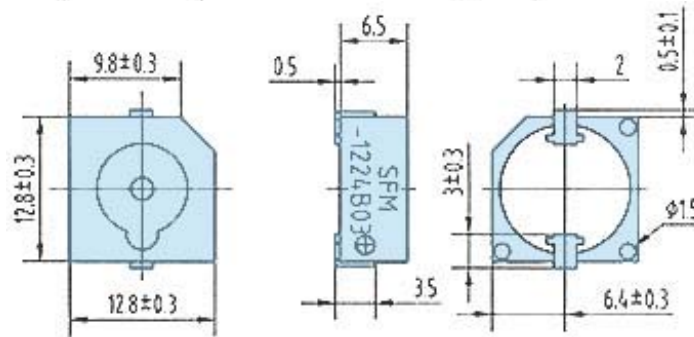
- SMD Type
- Can Endure Re-flow Solder Process

DIMENSIONS: (Unit: mm)

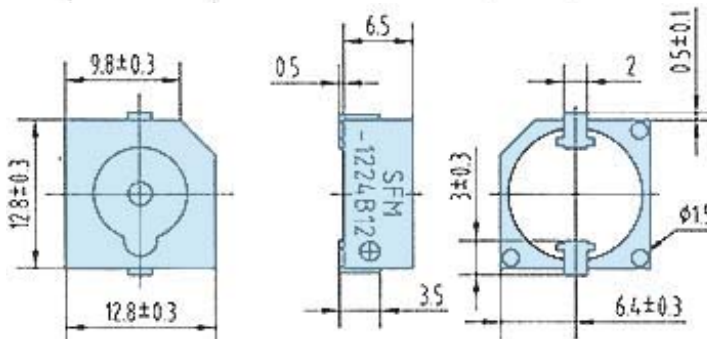
SFM-1224B :



SFM-1224B03 :



SFM-1224B12 :

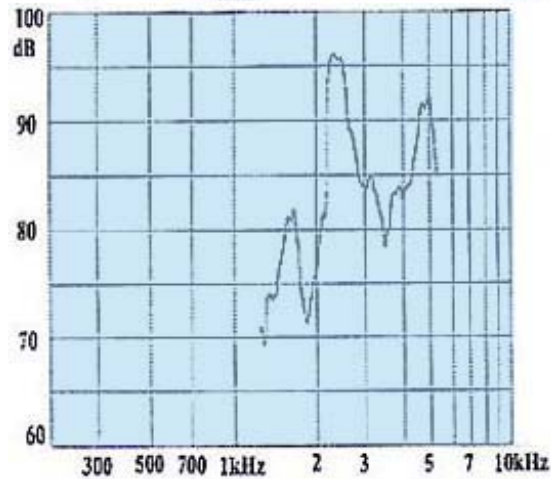


CHARACTERISTICS:

SFM-1224B :



SFM-1224B12 :

**ELECTRICAL SPECIFICATIONS :**

Model No.	SFM-1224B	SFM-1224B03	SFM-1224B12
Min . Sound Pressure Level (dB)	87/5V _{DC} /10cm	83/3V _{DC} /10cm	87/12V _{DC} /10cm
Rated Voltage (V _{DC})	5	3	12
Operating Voltage (V _{DC})	4 ~ 7	2 ~ 5	8 ~ 16
Resonant Frequency (Hz)	2400	2400	2400
Rated Current (mA)	≤40	≤70	≤40
Coil Resistance (Ω)	45±5	16±4	140±14
Operating Temperature (°C)	-30 ~ +85	-30 ~ +85	-30 ~ +85
Storage Temperature (°C)	-40 ~ +85	-40 ~ +85	-40 ~ +85
Case Material/Color	PPS/Grey	PPS/Grey	PPS/Grey
Weight (g)	2	2	2

SEARCH:

EAST
SFM
-1640

Magnetic transducer Buzzer

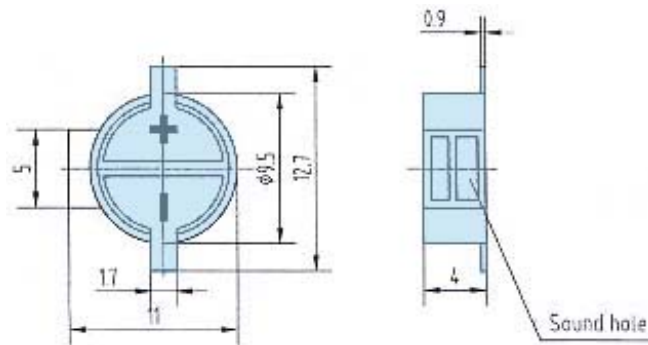
- **SFM-9527G01**



FEATURES:

- Low Frequency
- Low Voltage
- SMD Type
- Side Sound Port

DIMENSIONS: (Unit: mm)



CHARACTERISTICS:



ELECTRICAL SPECIFICATIONS :

Model No.	SFM-9527G01
Min. sound pressure level (dB)	85/1.5V _{DC} /10cm
Rated Voltage (V _{DC})	1.5
Operating Voltage (V _{DC})	1 _i «2
Resonant Frequency (Hz)	2731
Rated Current (mA)	iÜ80 /1.5V _{DC}
Coil Resistance (i _s)	5.5 iÅ 2
Operating Temperature (iãC)	-20i«+80

Weight (g)	0.8
------------	-----



Copyright 2001 Ningbo East Electronics Limited. All rights reserved. CLOSE

SEARCH:

EAST
SFM
-1640

Magnetic transducer Buzzer

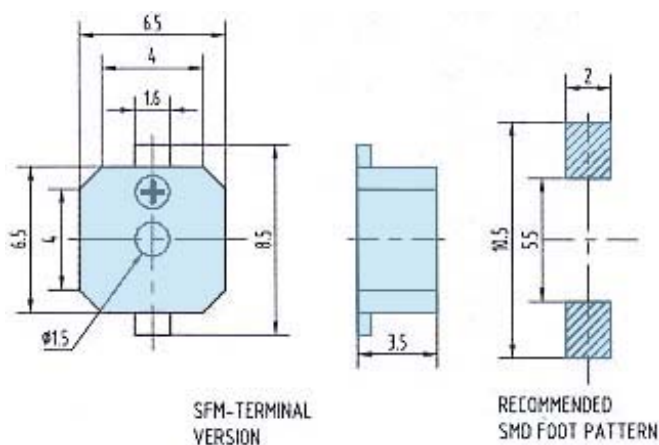
- SFM-6527-01



FEATURES:

- Low Frequency
- Low Voltage
- SMD Type

DIMENSIONS: (Unit: mm)



CHARACTERISTICS:

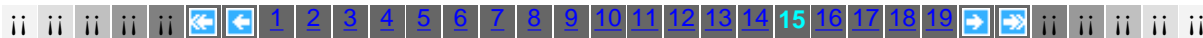


ELECTRICAL SPECIFICATIONS :

Model No.	SFM-6527-01
Min. sound pressure level (dB)	70/1.5V _{DC} /10cm
Rated Voltage (V _{DC})	1.5
Operating Voltage (V _{DC})	1 _i «2
Resonant Frequency (Hz)	2731
Rated Current (mA)	iÜ70 /1.5VDC
DC Resistance (i _s)	6.5 iÅ 1
Operating temperature (iãC)	-20i«+85

Weight

1 g



Copyright 2001 Ningbo East Electronics Limited. All rights reserved.

CLOSE

SEARCH:

EAST
SFM
-1640

Magnetic transducer Buzzer

• EMX-9TG01PC



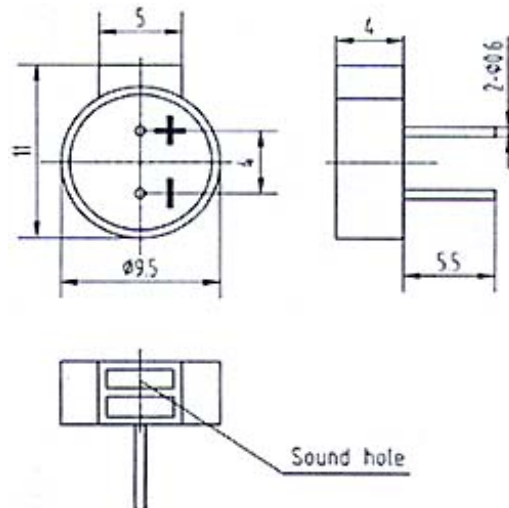
FEATURES:

- Low Frequency
- Low Voltage
- Super-small bulk
- Side Sound Port

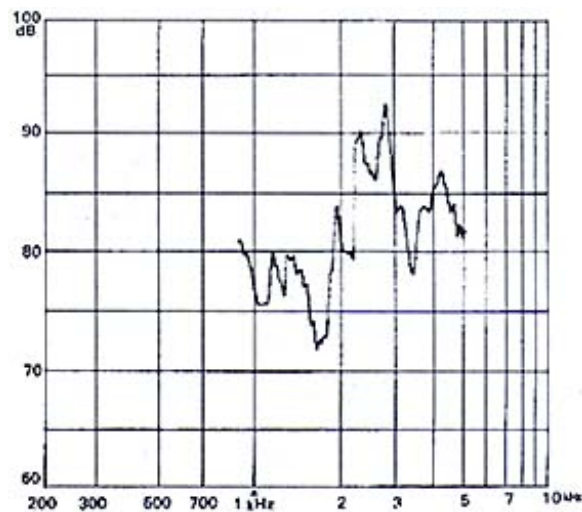
APPLICATIONS:

- Automatic Control Equipment
- Communication Equipment
- Electronic Instruments

DIMENSIONS: (Unit: mm)



CHARACTERISTICS:



ELECTRICAL SPECIFICATIONS :	
Part Number	EMX-9TG01PC
Min. Sound Pressure Level (dB) At 1.5V _{DC} / 10cm	85
Rated Voltage (V _{DC})	1.5
Operating Voltage (V _{DC})	1 ~ 2
Max. Consumption	80mA/1.5V _{DC}
Coil Resistance (Ω)	5.5 ± 2
Resonant Frequency (Hz)	2731
Operating Temperature (°C)	-20 ~ +80
Weight (g)	0.8



SEARCH:

EAST
SFM
-1640

Magnetic transducer Buzzer

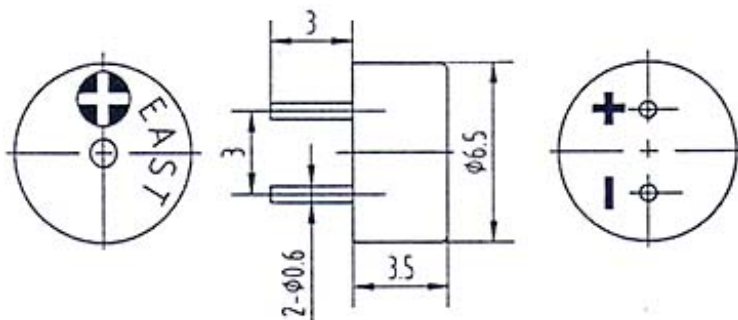
- **EMX-12T01P**



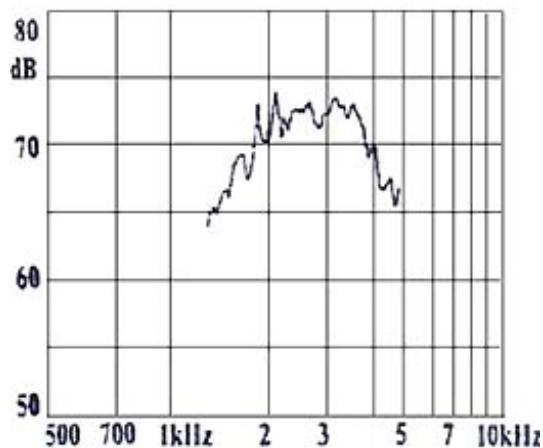
FEATURES:

- Low Frequency
- Low Voltage
- Super-small bulk

DIMENSIONS: (Unit: mm)



CHARACTERISTICS:



ELECTRICAL SPECIFICATIONS :

Part Number	EMX-12T01P
Min . Sound Pressure Level (dB)	70/1.5V _{DC} /10cm
Rated Voltage (V _{DC})	1.5
Operating Voltage (V _{DC})	1 ~ 2
Max. Consumption	80
Resonant Frequency (Hz)	2731
DC Resistance (Ω)	6.5 ± 1
Operating Temperature (°C)	-25 ~ +70

Storage Temperature (jãC)	-35 ~ +85
Weight (g)	1



Copyright 2001 Ningbo East Electronics Limited. All rights reserved.

CLOSE X

SEARCH:

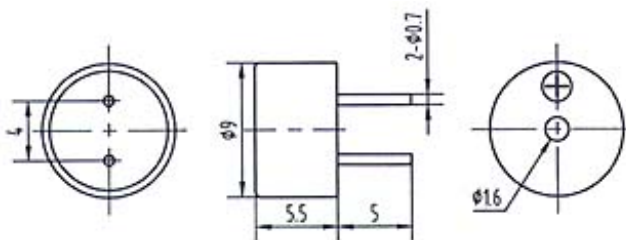
Magnetic transducer Buzzer

• **EMX-11T01PB**

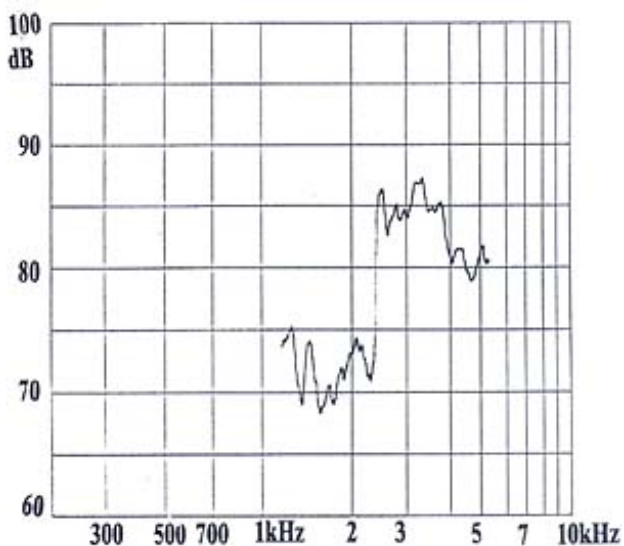
FEATURES:

- Low Frequency
- Low Voltage
- Super-small bulk

DIMENSIONS: (Unit: mm)



CHARACTERISTICS:



ELECTRICAL SPECIFICATIONS :

Part Number	EMX-11T01PB
Min. Sound Pressure Level (dB)	80/1.5V _{DC} /10cm/3100Hz
Rated Voltage (V _{DC})	1.5
Operating Voltage (V _{DC})	1 ~ 2
Max. Consumption	80/3100Hz
Resonant Frequency (Hz)	2731
DC Resistance (Ω)	5.5 ± 1

Operating Temperature (jãC)	-25 ~ +55
Storage Temperature (jãC)	-35 ~ +85
Weight (g)	1



SEARCH:

EAST
SFM
-1640

Magnetic transducer Buzzer

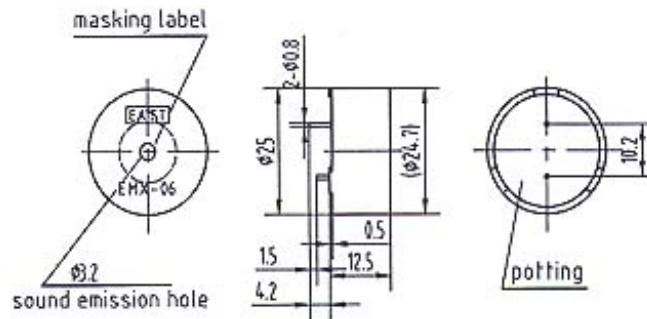
- EMX-06



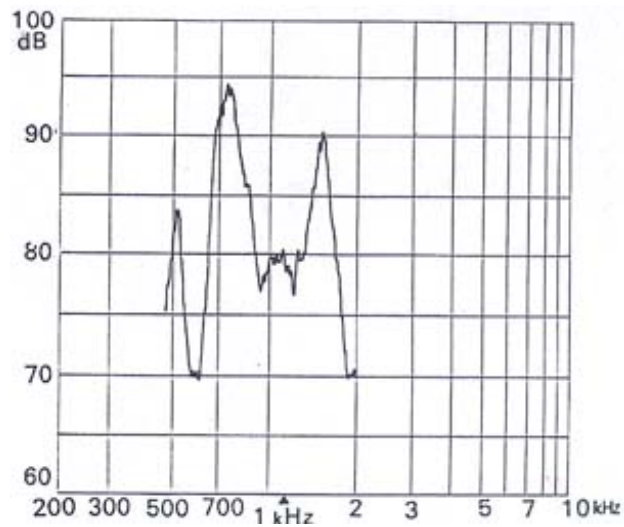
FEATURES:

- Wide Frequency range
- Waterproof
- Rich Sound

DIMENSIONS: (Unit: mm)



CHARACTERISTICS:



ELECTRICAL SPECIFICATIONS :	
Part Number	EMX-06
Min. Sound Pressure Level (dB)	80/1.5V _{DC} /10cm
Rated Voltage (V _{DC})	5
Operating Voltage (V _{DC})	3 ~ 5
Rated Current (mA)	Max.80
Resonant Frequency (Hz)	730
DC Resistance (Ω)	27 ± 4
Coil Impedance (Ω)	38
Operating Temperature (°C)	-40 ~ +85
Storage Temperature (°C)	-40 ~ +85
Weight (g)	10

